

GENERAL

ALIAWATER The AWF410 Series features in dual-channel ultrasonic time difference method & dynamic zero point design, making the measurement more accurate and reliable. It uses stainless housing and absence of moving parts resulted in high stability. The flow stabilization function endows the meter with stable measurements and immune to the influence of flow field. With few requirements for straight pipe distance, the water meter has strong practicability. The Low power consumption design results service life up to 15 years. Besides IP68 waterproof design, it is with MODBUS output is optional. It is widely used in industry, agriculture, waterworks and other fields.

FEATURES

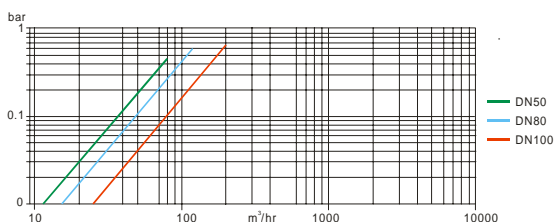
- Q3:Q1 turndown ratio as high as 500:1
- Low power consumption, battery life up to 15 years
- MODBUS RS485 Output
- Bi-directional-including bi-directions outputs
- Whole body adopts the material of S.S. 304
- IP68 of production class, long term under water operating
- With data storage function, can be stored for 10 years (day, month, year)
- LCD display, shows flowrate, totalizer, flow direction, alarm, leak detection
- Support external power, meets various industrial application



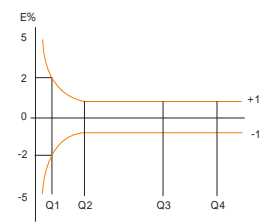
STANDARD SPECIFICATION

- Measuring Principle : Ultrasonic Time Difference
- Size : 50, 80, 100 mm
- Body Material : S.S. 304
- Process Connection : DIN Flange
- Q3 / Q1 (R) : 500:1
- Accuracy : +/-1% (Q4-Q2), +/-2% (Q2-Q1)
- Precision Class : ISO 4064 rev. 2014, Accuracy class 1
- Repeatability : +/-0.2% of reading
- Medium Temperature : 0.1~50 °C (T50)
- Ambient Temperature : -25~55 °C
- Ambient Humidity : 0-100% RH
- Resolution : 0.001 Unit (Minimum)
- Display : 9 Digit LCD of totalizer, 4 Digit of flowrate error alarm, flow direction, output, etc

- Units
 - Flowrate : m³/hr, L/s, USGPM
 - Totalizer : m³, USgal, Acre Feet (A.F.), ft³
 - Flow Velocity : m/s
- Operating Pressure : 16 bar (Maximum)
- Pressure Loss : ΔP 0.16 bar
- Severity Levels : Mechanical class M1
 - Electromagnetic environment class E2
- Communication : MODBUS Protocol
 - Power Supply : 8-24 VDC
- Protection Class : IP68
- Data Storage : Totalizer are stored for 10 years (D, M, Y)
- Power Supply : 3.6 VDC battery, Size D
- Battery Life : ≥15 years (display only)



Head Loss Curve



Accuracy Curve



ALIA TECHNOLOGY LLC

633 W. 5th Street, 26th Floor, Los Angeles, CA 90071, USA
TEL : + 1 - 213 - 533 - 4139 FAX : + 1 - 213 - 223 - 2317

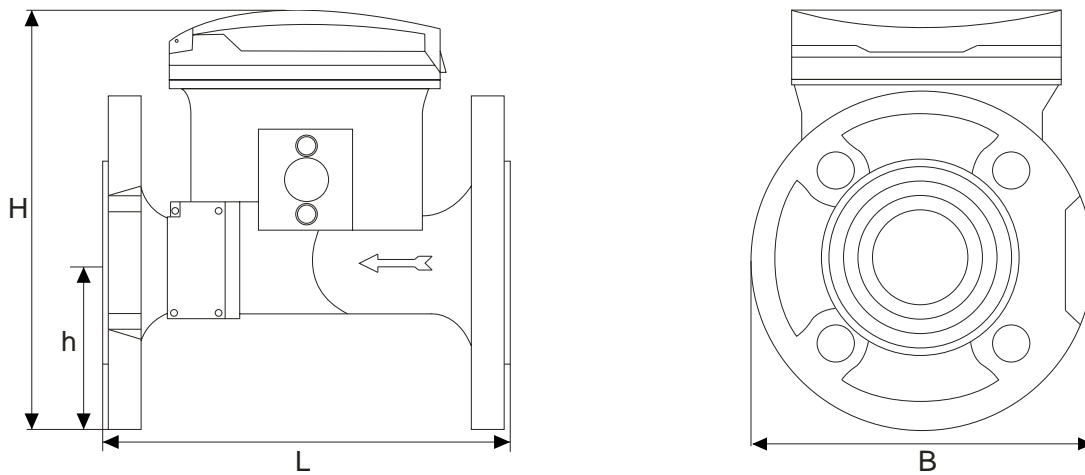


URL : www.alia-inc.com
E-mail : alia@alia-inc.com
AWF410V1.2.3.r2.A4.en

FLOW RANGE

Unit: m ³ /hr			
Size	DN50	DN80	DN100
Inch	2"	3"	4"
Maximum Flowrate Q4	50	80	125
Normal Flowrate Q3	40	63	100
Transitional Flowrate Q2	0.128	0.2	0.32
Minimum Flowrate Q1	0.08	0.125	0.2
Starting flow	0.02	0.02	0.02
Q3 / Q1 (R)	500	500	500
Accuracy in Range Q1-Q2: +/-2%, Q2-Q4: +/-1%, Base on OIML R49 EN14154 and ISO 4064:2014			

DIMENSIONS



Size	DN50	DN80	DN100
Inch	2"	3"	4"
L (mm)	200	225	250
B (mm)	165	200	220
H (mm)	194	210	223
h (mm)	40	90	103
Weight (kg)	9	13	15

MODEL SELECTION GUIDE

AWF410 Series					
Example: AWF410-050-P-MB-NN					
AWF410-	XXX	-X	-XX	-XX	Description
Size	050-100				050, 080, 100 mm
Process Connection		-P			PN16
Output			-NN		None
			-MB		MODBUS Output
Option				-NN	None