



ALIAMAG

Electromagnetic Flow Converter with Thermal Energy

Model AMC3200E Series

GENERAL

ALIAMAG The ALIAMAG AMC3200E Series is a heat meter converter of electromagnetic flowmeter that can be paired with any of ALIA AMF series sensors. The unit features multiple display parameters including flow rate, energy, flow total, energy total, supply temperature, return temperature, diagnostic, programming and troubleshooting. It's equipped with MODBUS, Bluetooth and BACnet protocol.

FEATURES

- ❑ Four line LCD display Flow Rate / Energy / Totalizer / Temperature
- ❑ +/-0.2% value of reading
- ❑ Bi-direction flow measurement, and the display can rotate
- ❑ With hourly report, daily report, monthly report and yearly report query function
- ❑ 99 times / dates records for alarm
- ❑ 99 (total) times records for power on / off
- ❑ MODBUS, Bluetooth, BACnet protocol

STANDARD SPECIFICATION

- Excitation : DC Plused
- Display : 4 Lines LCD with backlight
 - Line 1 : Date and Time
 - Line 2 : 5 Digit flowrate
6 Digit energy value
Error code
Supply temperature
 - Line 3 : 9 Digit totalizer for forward flow / reverse flow
9 Digit totalizer for heat / cold energy
Error code content
Return temperature
 - Line 4 : Differential temperature
 - Unit : L/s, L/min, L/hr, m³/s, m³/min, m³/hr, mL/hr, mL/min, mL/s, kW, MW, KJ/hr, MJ/hr, GJ/hr, Mcal/hr, Kcal/hr, Cal/hr, BTU/hr
- Measuring Range : Min. 0-0.15 m/s
: Max. 0-15 m/s
- Accuracy : +/-0.2% of reading (Velocity ≥ 0.5 m/s)
: +/-0.001 m/s (Velocity < 0.5 m/s)
- Repeatability : +/-0.05% of reading
- Current Output : 4-20 mA (Isolated)
 - Load : Max. 600 Ω
- Pulse Output : Open collector
 - Rating : 3-30 VDC, 50 mA Max.
- Pulse Rate : 1) Scaled pulse, (L/Pulse, Other)
: 2) Frequency: 0-5000 Hz
- Communication : Bluetooth (Apply to Android System)
RS485 (MODBUS Protocol) / BACnet
- Keypad : 3 External keys for programming and display control
- Low Flow Cutoff : 0-9.9%
- Data Logger Function : 99 Date / time records for alarm
- Record Data : Date / time of power on/ off
: 99 Years flow rate / energy / temperature / total flow / total energy
Record data every one hour
- Damping : 0.1-99.9 s
- Self Diagnosis : The following error messages are displayed if failure occurs
 - Temperature failure
 - Temperature abnormal
 - Empty pipe
 - EEPROM abnormal
- Data Storage : Operation parameters and totalizer figures are stored by EEPROM for more than 10 years
- Cable Entry : Standard: M20 Option: 1/2" NPTF
- Protection Class : IP67
- Ambient Temperature : -25-65 °C
- Material : Aluminum Alloy
- Temperature Input : PT1000, 2-Wire
- Power Supply : 90-260 VAC, 50/60 Hz
: 24 VDC +/-10% (Option)
- Power Consumption : 10-20 W (Dependent on sensor size)
- Weight : 4.5 kg
- Mounting : Bracket on 2" pipe



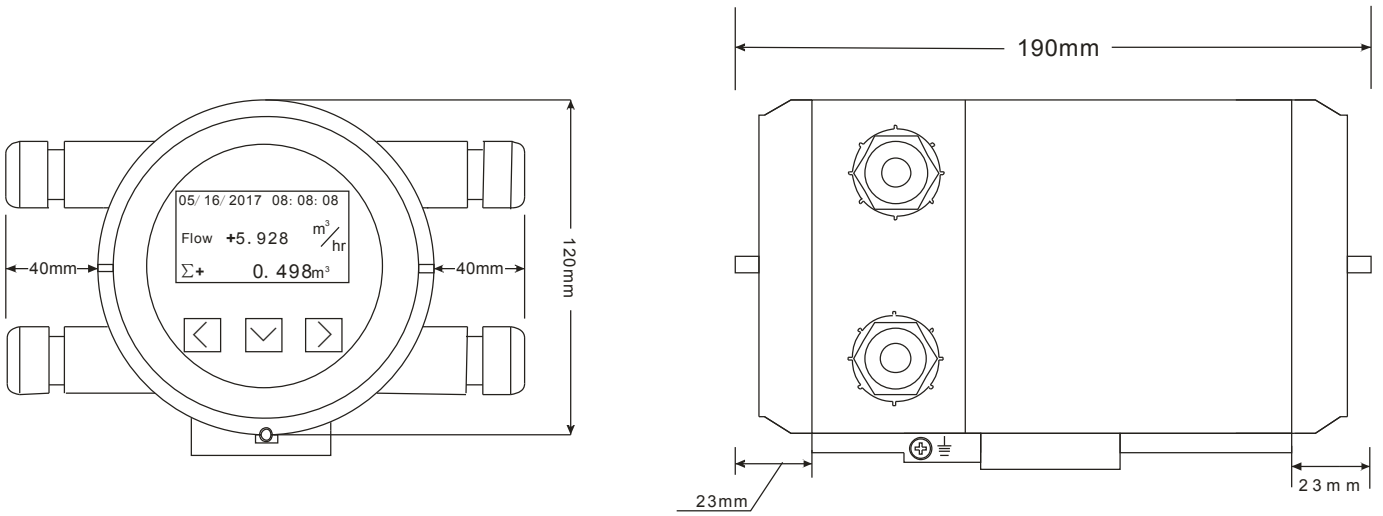
ALIA TECHNOLOGY LLC

633 W. 5th Street, 26th Floor, Los Angeles, CA 90071, USA
TEL : + 1 - 213 - 533 - 4139 FAX : + 1 - 213 - 223 - 2317

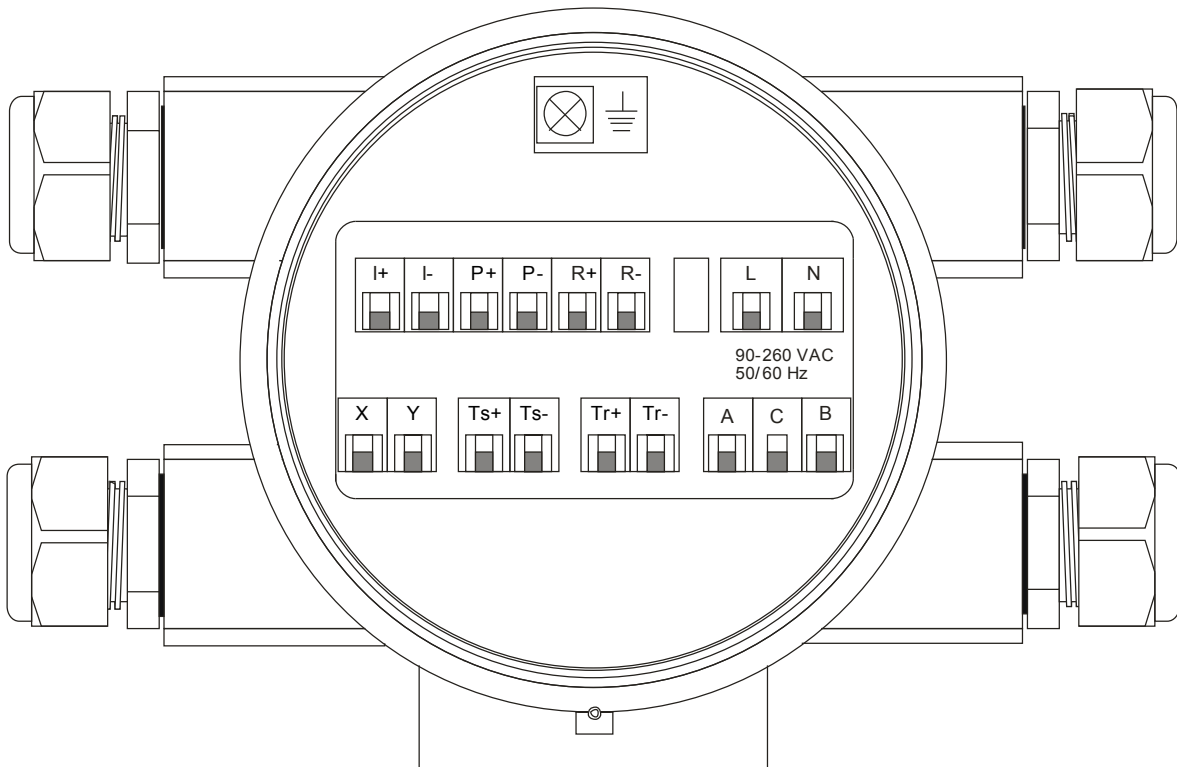


URL : www.alia-inc.com
E-mail : alia@alia-inc.com
AMC3200EV1.2.3.r5.A4.en

➤ DIMENSIONS



➤ WIRING DIAGRAM



I+: 4-20 mA Output +
I-: 4-20 mA Output -

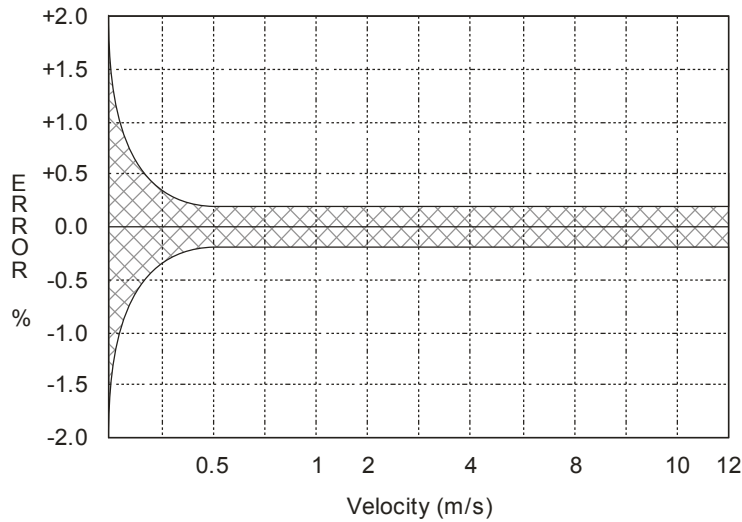
Ts+: Supply temperature
Ts-: Supply temperature

Tr+: Return temperature
Tr-: Return temperature

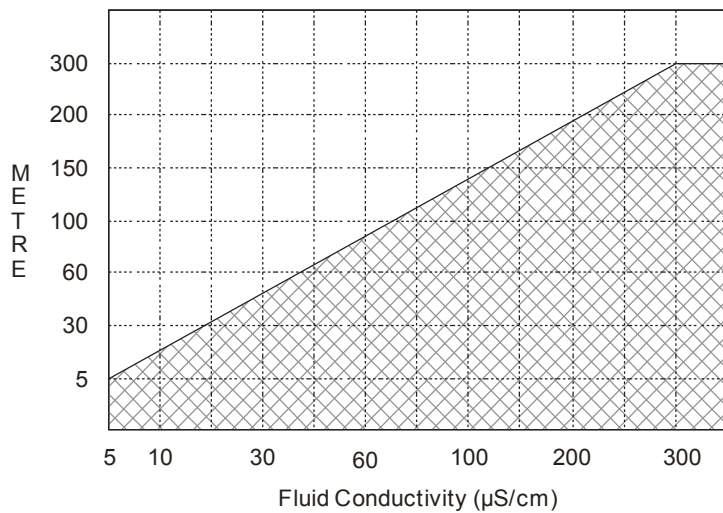
P+: Pulse Output +
P-: Pulse Output -

R+: RS485 Output +
R-: RS485 Output -

ACCURACY



CABLE LENGTH BETWEEN SENSOR & CONVERTER



MODEL SELECTION GUIDE

AMC3200E Series					
Example: AMC3200E-AC-CP-NN-NN					
AMC3200E-	XX-	XX-	XX-	XX	Description
Power Supply	AC-				90-260 VAC, 50/60 Hz
	DC-				24 VDC, +/-10%
Mounting	CP-				Compact with sensor (Max. Operating Temperature: 80°C)
	CH-				Compact with Sensor (Max. Operating Temperature: 120°C)
	S2-				Remote, 2" Mounting Bracket or Wall Mounting
Communication		NN-	RS485 (MODBUS Protocol), Bluetooth, BACnet		
Option	NN		None		
	PT		Cable Entry 1/2" NPTF		

➤ BUILD OPTIONS- (COMPACT OR REMOTE)

