



ALIAMAG

Converter For Electromagnetic Flowmeter

Model AMC2200 Series

GENERAL

ALIAMAG The ALIAMAG AMC2200 Series converter is a microprocessor based intelligent transmitter that can be paired with any of the Alia AMF series sensors. The unit features multiple display parameters including flow rate, flow total, diagnostics, programming and troubleshooting. It's equipped with bluetooth, HART and MODBUS communication functions.

FEATURES

- ❑ Three line LCD display Flow Rate / Totalizer
- ❑ Accuracy of +/-0.35% value of reading
- ❑ Bi-directional flow measurement, current and pulse output
- ❑ Large digital display
- ❑ Bluetooth / MODBUS / HART communication

STANDARD SPECIFICATION

- Excitation : DC pulsed
- Display : 3 Lines LCD with illumination
 - Line 1 : 11 Digit totalizer for forward flow
 - : 11 Digit totalizer for reverse flow
 - : 11 Digit totalizer for difference
 - Line 2 : 5 Digit flowrate / velocity / % / mA / Hz
 - Line 3 : Parameter / Query / Clr tot / Query LOG
 - Alarm, Guidance
 - Totalizer Unit : t, kg, g, lb, Ston, Lton, m³, L, mL, lgal, gal, Mgal, bbl, ft³, a-ft
 - Time Unit : sec, min, hour, day
- Measuring Range : Min. 0-0.15 m/s
- : Max. 0-15 m/s
- Accuracy : +/-0.35% of reading (Velocity ≥ 0.5 m/s)
- : +/-0.00175 m/s (Velocity < 0.5 m/s)
- Repeatability : +/-0.07% of reading
- Current Output : 4-20 mA (Isolated)
- Load : Max. 600 Ω
- Pulse Output : Open collector
- Rating : 3-30 VDC, 50 mA Max.
- Pulse Rate : 1) Scaled pulse (mL/Pulse, L/Pulse, Other)
- : 2) Frequency: 0-5000 Hz
- Pulse Width : 50% of band width
- Alarm : High / Low with open collector output
- Rating : 3-30 VDC, 50 mA Max.
- Communication : Bluetooth (Android) Standard
- : RS485 (MODBUS Protocol) Standard
- : HART signal (Compatible) Optional
- Keypad : 3 Internal keys for programming and display control
- Data Storage : Operation parameters and totalizer figures are stored by EEPROM for more than 10 years
- Low Flow Cutoff : 0-9.9%
- Damping : 0-99 Seconds
- Density Setting : 0.1-9.99 g/cm³
- Self Diagnosis : The following error messages are displayed if failure occurs
 - Coil failure
 - Power failure
 - Overranged Output
 - Internal error
 - Overflow
 - Empty pipe
- Cable Entry : Standard: M20 Option: 1/2" NPTF
- Protection Class : IP65
- Ambient Temperature : -25~65 °C
- Material : Aluminum Alloy
- Power Supply : 90-260 VAC, 50/60 Hz
- : 24 VDC +/-10% (Option)
- Power Consumption : 3-17 W (Dependent on sensor size)
- Lightning Protector : Module design, easy to replace
- : Surge test voltage up to 4 kV
- Weight : 1.4 kg
- Mounting : Wall mounting



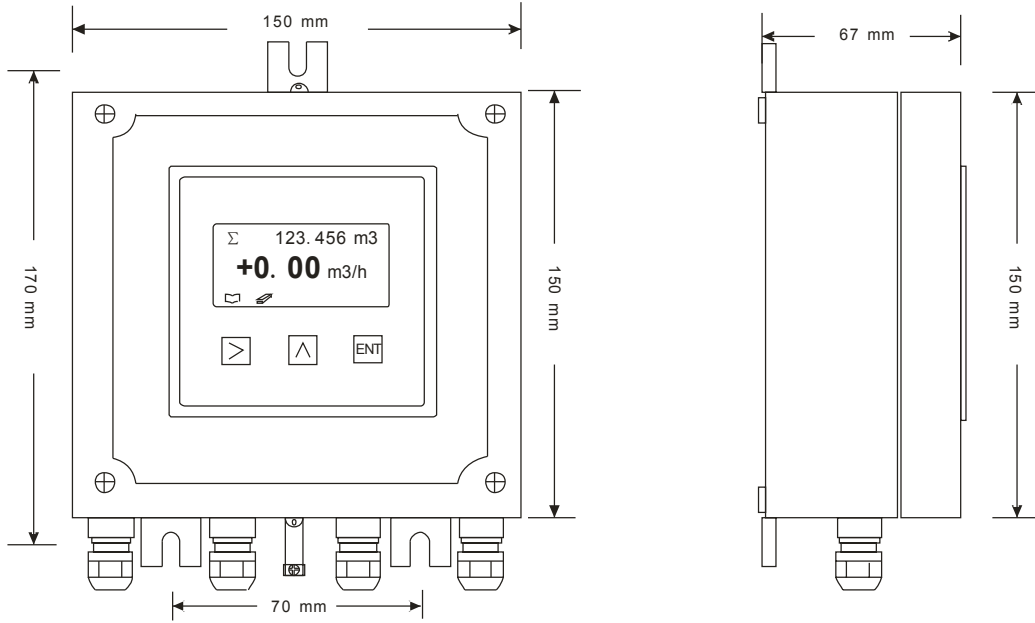
ALIA TECHNOLOGY LLC

633 W. 5th Street, 26th Floor, Los Angeles, CA 90071, USA
 TEL : + 1 - 213 - 533 - 4139 FAX : + 1 - 213 - 223 - 2317

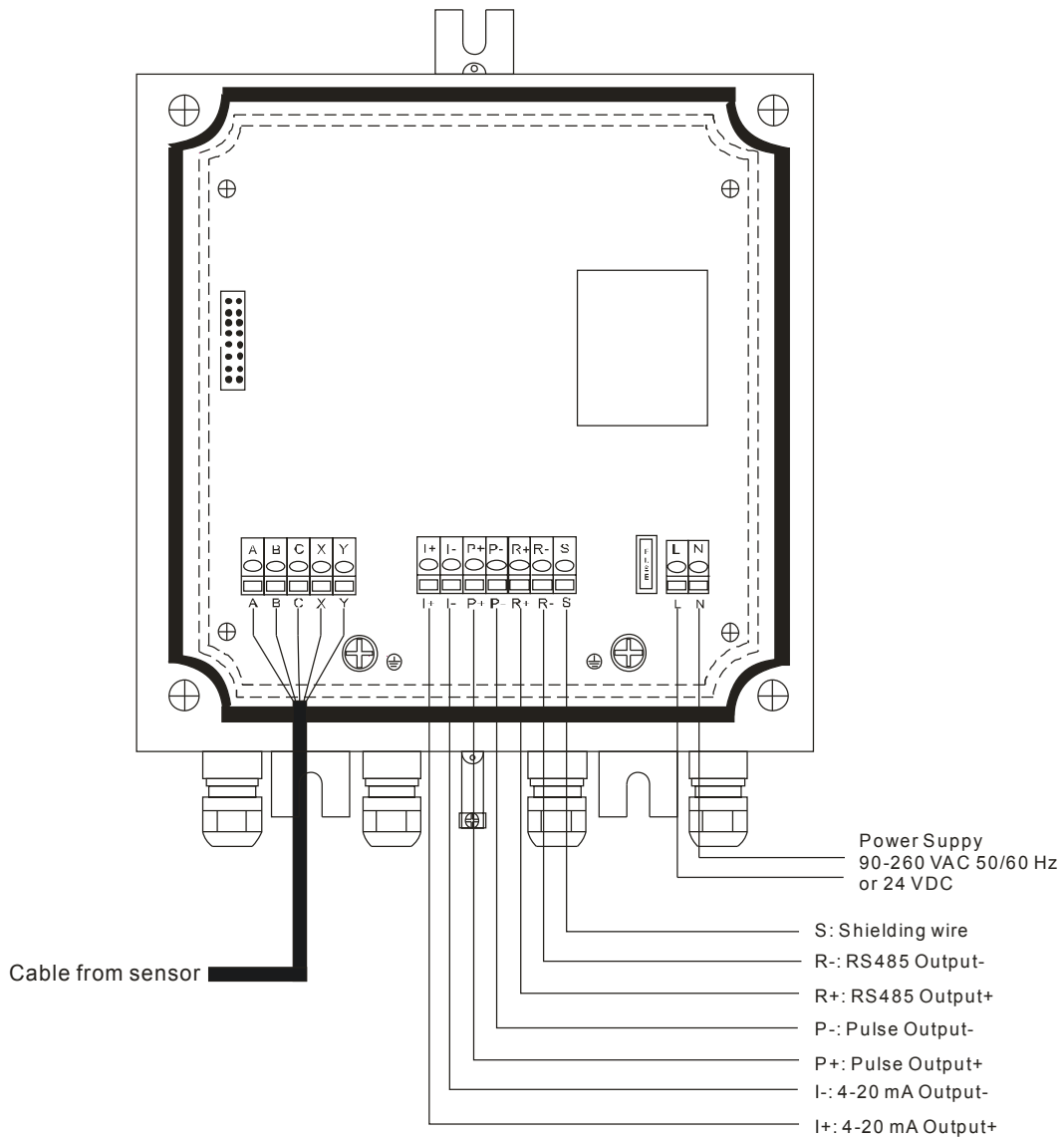


URL : www.alia-inc.com
 E-mail : alia@alia-inc.com
 AMC2200V1.2.3.r7.A4.en

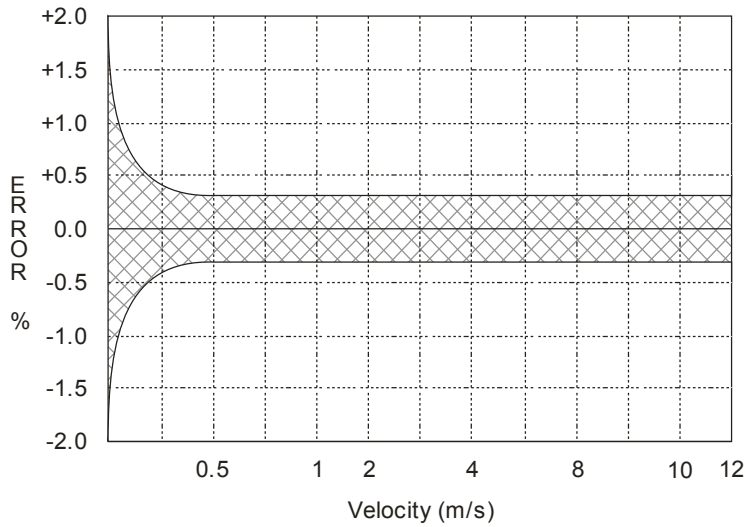
➤ DIMENSIONS



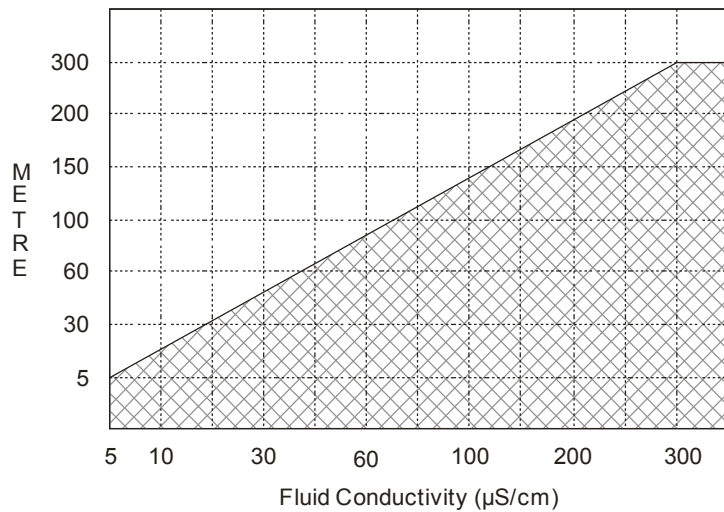
➤ WIRING DIAGRAM



➤ ACCURACY



➤ CABLE LENGTH BETWEEN SENSOR & CONVERTER



➤ MODEL SELECTION GUIDE

| AMC2200 Series | | | | | |
|------------------------------|-----|-----|-----|----|---|
| Example: AMC2200-AC-CP-HT-PT | | | | | |
| AMC2200- | XX- | XX- | XX- | XX | Description |
| Power Supply | AC- | | | | 90-260 VAC, 50/60 Hz |
| | DC- | | | | 24 VDC, +/-10% |
| Mounting | CP- | | | | Compact with Sensor (Max. Operating Temperature: 80 °C) |
| | CH- | | | | Compact with Sensor (Max. Operating Temperature: 120 °C) |
| | SW- | | | | Remote, Wall Mounting |
| Communication | NN- | | | | RS485 (MODBUS Protocol) and Bluetooth |
| | HT- | | | | HART Signal (Compatible) |
| Option | NN | | | | None |
| | PT | | | | Cable Entry 1/2" NPTF |
| | LP | | | | Lightening Protector (Internal) (With AC Power and RS485 Only) * Note |

Note: Surge test voltage up to 4 kV.

➤ BUILD OPTIONS- (COMPACT OR REMOTE)

